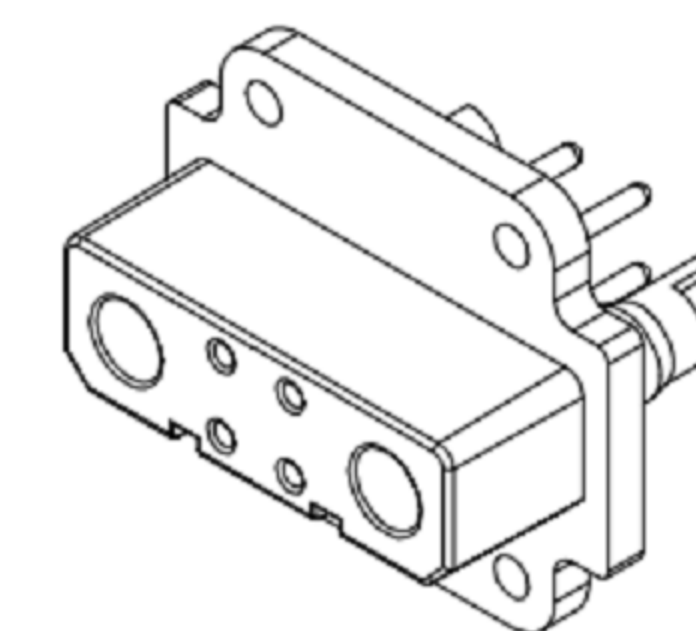
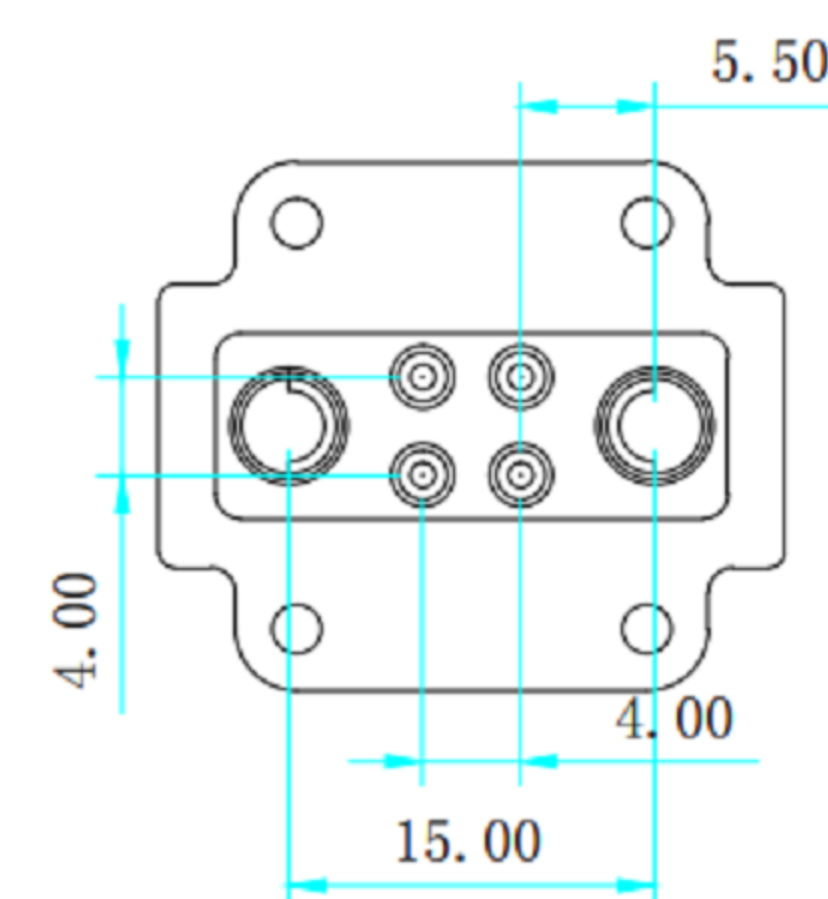
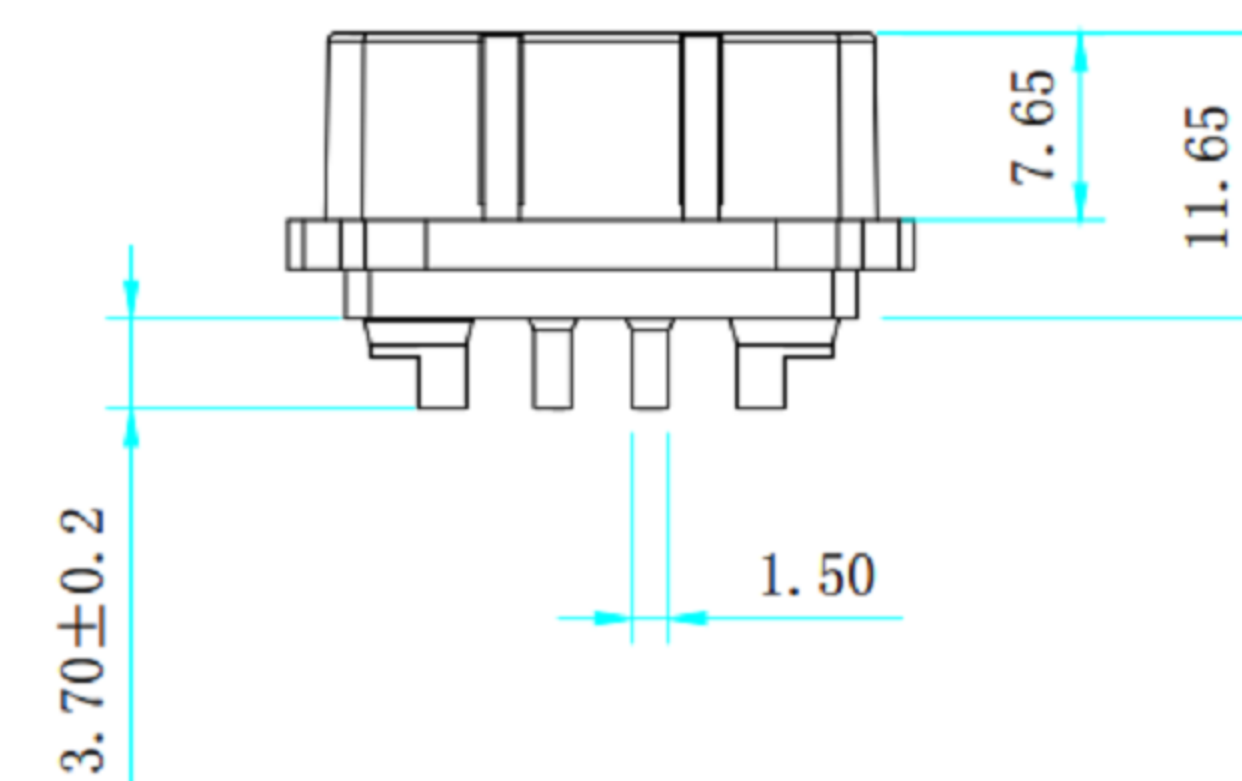
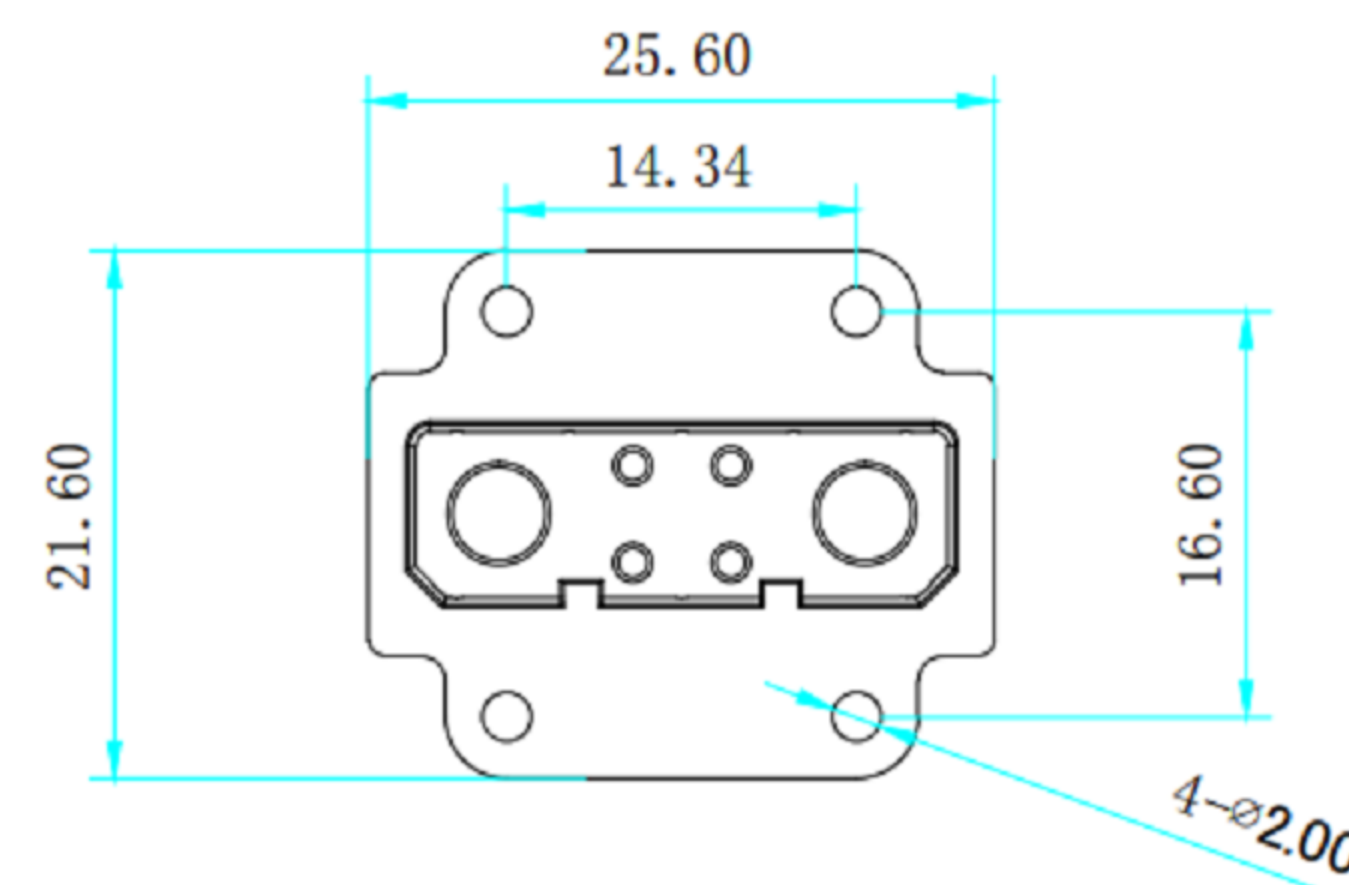


### GD-TX-2+4P-G 公头

产品型号: GD-TX-2+4P-G  
 产品颜色: 黄色/黑色  
 金属材质: 铜镀金(1u)  
 瞬时电流: (大) 60A (小) 7A  
 额定电流: (大) 30A (小) 5A  
 绝缘材质: PA  
 接触电阻: 0.30mΩ  
 工作温度: -20℃ to 120℃  
 额定电压: DC 500V  
 推荐使用次数: 1000 TIMES



### GD-TX-2+4P-M 插座


**東莞市高迪電子有限公司**  
**DONG GUAN GAO DI ELECTRONICS CO., LTD**

TOLERANCE UNLESS OTHERWISE STATED: Up to 5 ±0.2, Above 5 ~ 15 ±0.3, Above 15 ~ 30 ±0.4, Above 30 ~ 50 ±0.5, Angle ±0.3°  
 3RD. ANGEL'S  
 UNITS MM

DRAWN BY:	DATE	MAT'L	TITLE	CONNECTOR
Jack Lu	12/13/19			
CHECKED BY:	DATE	FINISH	MODLE	GD-TX--2+4P
Jacky Chen	12/13/19			
APPROVED BY:	DATE	SCALE	DWG NO.	
Tony Kao	12/13/19	1:1		
		SHEET NO.	PART NO.	
		1 of 1		
				SIZE A4
				VER R1